



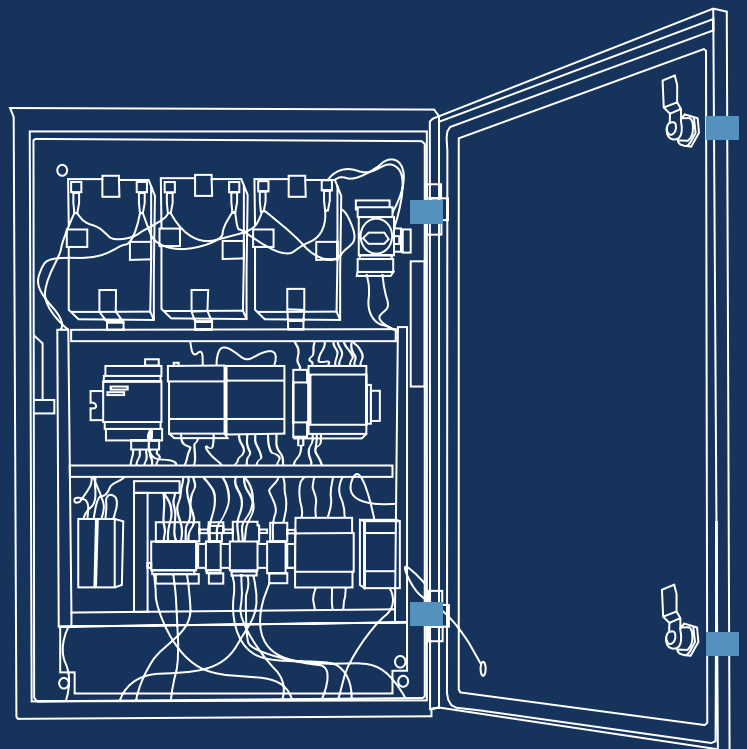
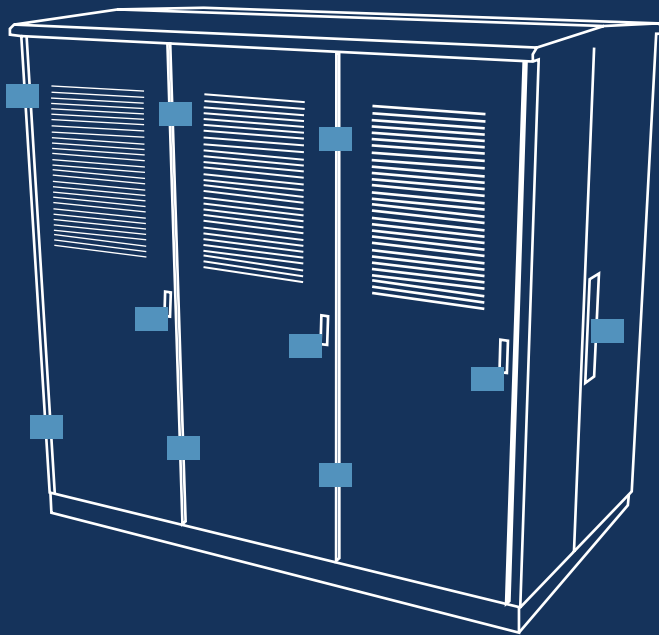
Engineered Access Solutions for Electrical Enclosures

Safety. Security. Reliability.

- Does your enclosure require a high strength latching system that has been validated for performance in extreme environments, such as arc-fault explosions?
- Are the contents of your enclosure extremely sensitive, valuable or critical to system performance?
- Do you have concerns about vandalism or unauthorized access on doors that can be pried open at the corners?

Engineering. Design. Support.

Southco has the largest selection of multi-point latching mechanisms and access hardware that have been tested and validated for most applications. If you don't find what you need in our current portfolio, Southco can modify standard products or design custom solutions to fit your unique requirements.





Power up on innovation.

When designing Enclosure applications, several design considerations have the power to make the biggest impact on the end user. Southco products are often the first point of interaction that users have when accessing an enclosure. We design our access hardware with the end user experience in mind, delivering best in performance touch point solutions designed for simple, ergonomic operation.



Mechanical Latching

Dependable and robust hardware withstands heavy, repeated use by providing simple operation and reliable performance in any environment.




Hinges & Position Technology

Concealed and surface mount hinges available in free swinging or positioning technology to enhance ergonomics.



Electronic Access

Lock and unlock your enclosures remotely for user convenience and advanced security with electronic latching and access control.



When security matters most.

Multi-Point Latching Mechanisms

- Does your enclosure have very large doors?
- Do you need to seal from water and dust intrusion?
- Do you require hardware that can withstand electrical arc explosions?
- Does your door flex under pressure?
- Do you need multiple options for locking, such as tool access, pad-lockable or electronic?





Multi-Point Compression Latching Systems

Flush compression solutions for outdoor enclosures.



CR



M3

Multi-Point Swinghandle Latching Systems

Low profile swinghandle for indoor or outdoor enclosures.



H3

Multi-Point Latching Systems Rods



Round Rod



Flat Rod



Hex Rod



U-Shaped Rod & Rod End



Multi-Point Compression Latching Systems



CR Compression Latches

- Ideal for applications with environmental, EMI, and RFI sealing requirements
- Vandal-resistant security with three points of engagement for even gasket compression
- Heavy duty and adjustable rod roller mechanism for high compression force
- Flexibility for installation and adjustment with versatile cam offset options



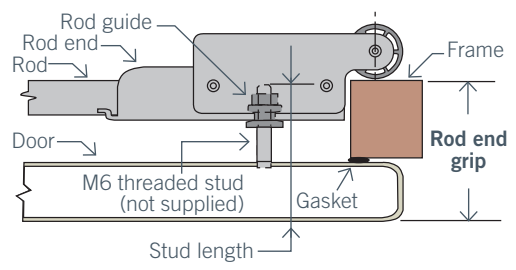
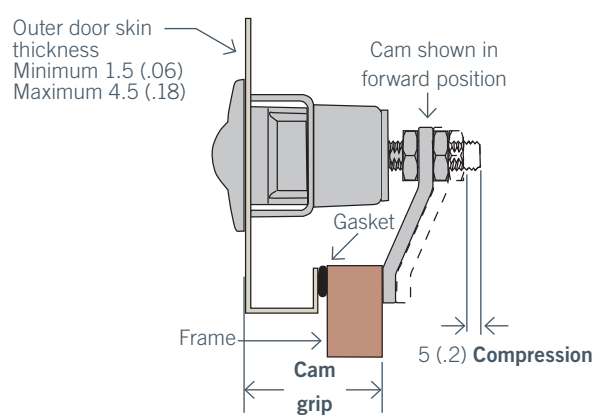
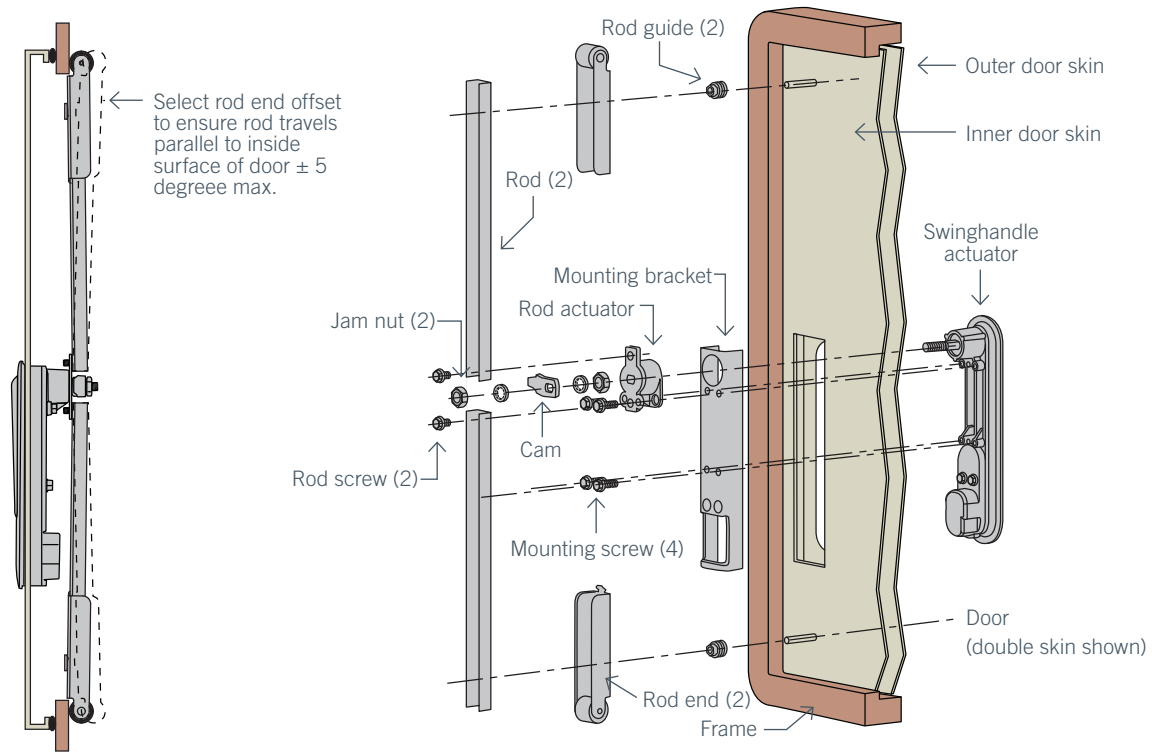
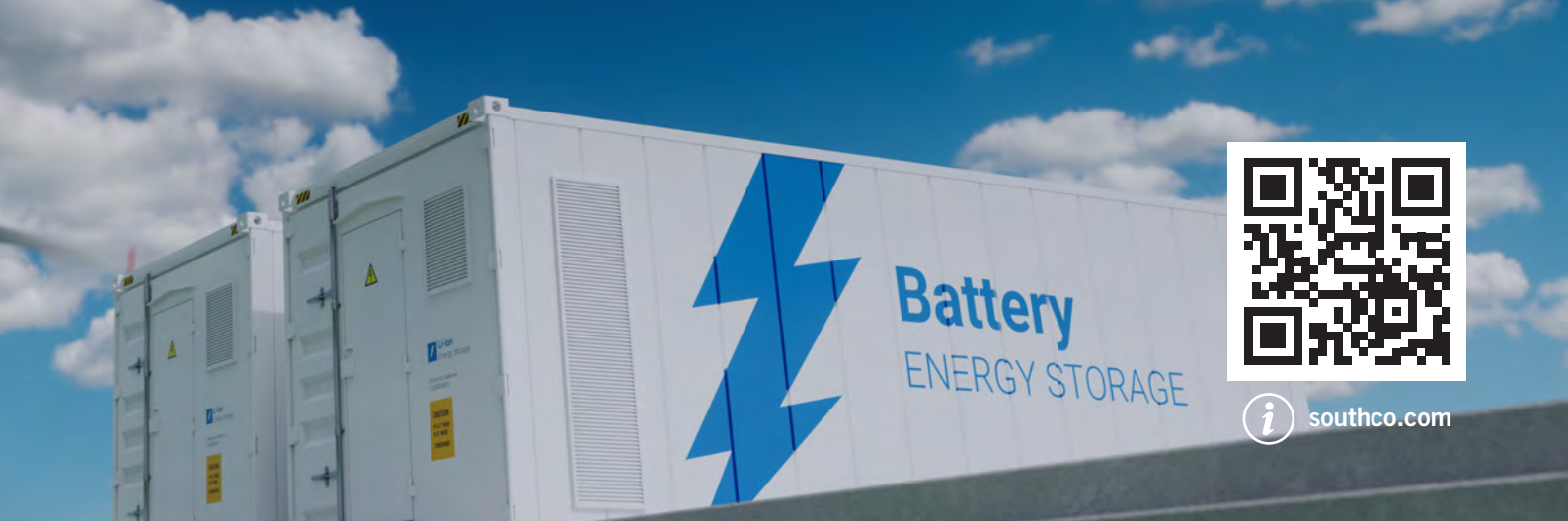
Rods



Cams



Rod Ends



- 5 mm true center-point compression
- Handle partially recessed into door for a clean enclosure face
- Handle pops up for easy access to swing handle, and twists in either direction to release the compression and to open the door
- Modular designed rods accommodate door spans up to 2 meters (78.7") long

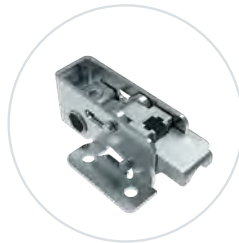


Multi-Point Compression Latching Systems



M3 Compression Latches

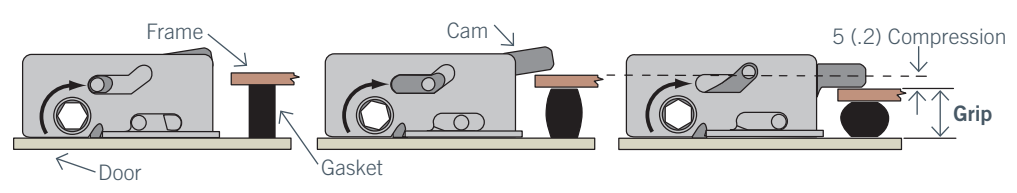
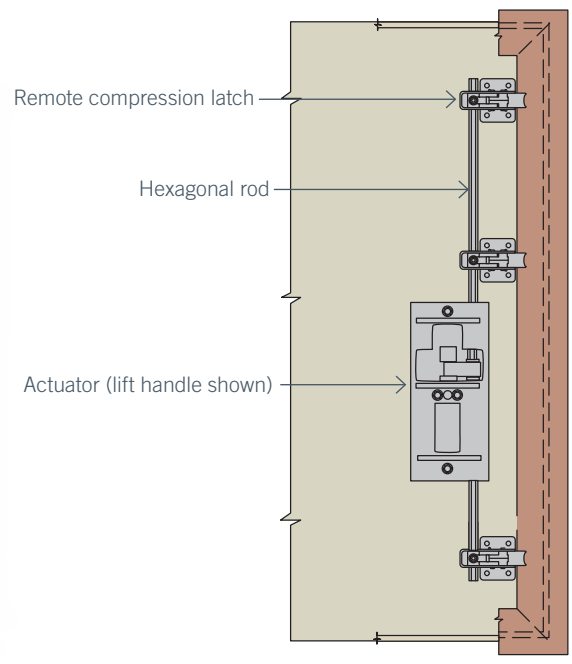
- Allows for multiple over center compression latching points along the entire edge of the door
- Multiple choices of stylish, flush-handle actuators
- Installed to meet industry standards for environmental or EMC sealing applications



Compression Latch



Hex Rods



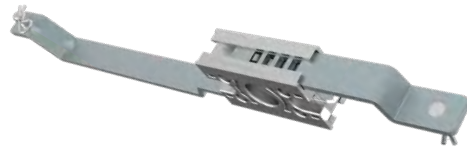
- Hex-shaped drive rods run the length of the cabinet door to enable you to drive multiple compression latches simultaneously from one actuator
- Multiple latch points can be positioned anywhere along the hex drive rod, providing 5mm of compression
- Protection of latch mechanisms inside of gasketed seal

Multi-Point Swinghandle Latching Systems



H3 Swinghandles

- Nests into the housing for minimal protrusion
- Handle is lifted up to swing smoothly for easy latch actuation
- Robust die-cast zinc construction provides durable, corrosion-resistant performance, with optional gasket for indoor or outdoor use

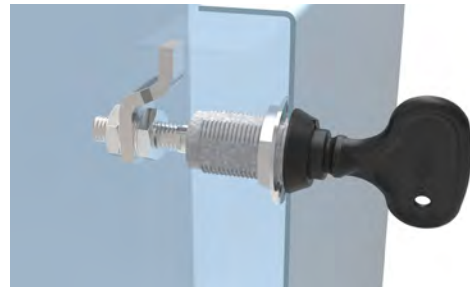


Cam & Compression Latching Solutions



Cam Latches

Compensate for variations in material dimensions or changing grip dimensions with a simple, quarter-turn latch that gives a degree of flexibility.



Compression Latches

When a good tight closure is critical to reduce rattle and noise in high-vibration environments or to ensure a satisfactory seal for gasketed applications.



Electronic Security & Safety

Achieve an extra layer of security and safety with the ability to remotely monitor and control access to your enclosure. Electronic locks and access controllers easily integrate into any existing control system, and deliver the same level of convenience that users expect from their other connected devices.



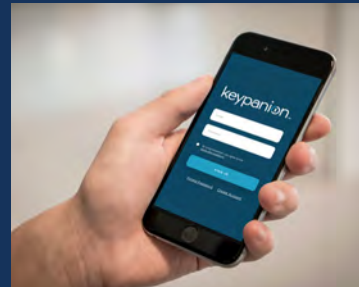
Electronic Locks

Secure and protect cabinets and maintenance panels with concealed electronic latches.



Access Controllers

Connect electronic locks with a variety of access control devices that network directly with the Enclosure's control system.



Remote Monitoring

Monitor Enclosures access remotely from your phone or tablet, from anywhere in the world.

Hinges & Positioning Technology

Bring new functionality and performance to your Enclosure door design with hinges that provide secure door retention and ergonomic access.



Concealed Hinges

Achieve optimum styling with a clean exterior aesthetic.



Removable Hinges

Increase access in restricted spaces with easy removal of the door.



About Southco

Southco, Inc. is the leading global designer and manufacturer of engineered access solutions. From quality and performance to aesthetics and ergonomics, we understand that first impressions are lasting impressions in product design. For over 70 years, Southco has helped the world's most recognized brands create value for their customers with innovative access solutions designed to enhance the touch points of their products in transportation and industrial applications, medical equipment, data centers and more.

Latches



Fasteners



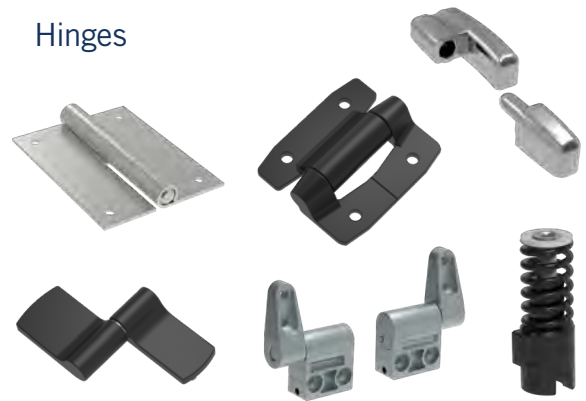
Monitor Mounts



Handles



Hinges



southco[®]

Americas Global Headquarters
Concordville, PA, USA
Tel: (1) 610 459 4000

Europe Headquarters
Worcester, UK
Tel: (44) (0) 1905 346722

Asia Pacific Headquarters
Hong Kong, China
Tel: (852) 3127 1503